

NVE1000A

1 CH D1 Network Video Encoder (MPEG-4)

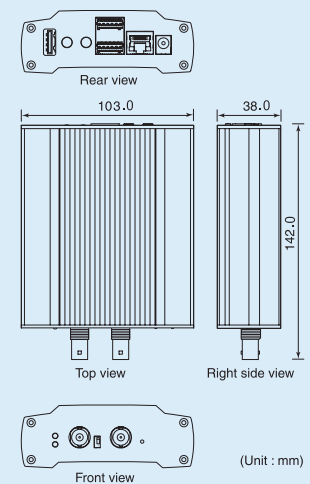
- 1 ch MPEG-4 D1 Network Video Encoder
- 1 ch Audio Input, 1 ch Audio Output
- Transmitting Video Stream up to 25/30 FPS@D1
- Video Compression : MPEG-4, MPEG-2, MJPEG
- Deinterlacing in Hardware Encoding Engine
- Audio Compression : G.711
- RS-232C, RS-485 Support
- USB 2.0 Support (for External Storage)
- Motion Detection
- Text OSD
- Unicast / Multicast
- Providing only SDK, not Complete Application Software



Specifications

Video	Input	1 ch
	Output	1 Loop Out
	Compression	MPEG-4, MPEG-2, MJPEG Selectable
	Resolution	D1, 2CIF, CIF, QCIF
	Compression FPS	25/30 fps@D1
Audio	Input	1 ch
	Output	1 ch
	Compression	G.711
Network		10 / 100 Base-T
Digital Input / Output		2 / 2 ch
RS-485		Support
RS-232C		Support
Deinterlacing		Support (Hardware Encoding Engine)
Motion Detection		Support
Text OSD		Support (Inserted before Compression)
Video Stream Encryption		AES
Protocol		SNTP, DHCP, UDP, TCP, RTP, RTSP (Unicast, Multicast)
Power over Ethernet		Optional
Power Consumption	+12 V	413 mA
Temperature		0 ~ 60 (32 °F ~ 140 °F)
Humidity		Up to 85% RH
Dimension		103(W) x 38(H) x 142(D) mm
Weight		382 g

Dimension



Model Classification :

- NVE1000 : 1 ch D1 MPEG-4 NVE
- NVE1000A : 1 ch D1 MPEG-4 NVE with Audio (Standard Model)
- NVE1000P : 1 ch D1 MPEG-4 NVE with PoE
- NVE1000AP : 1 ch D1 MPEG-4 NVE with Audio & PoE