

IPC Series

IPC3500 Series

Vandal Proof Outdoor Dome Type IP Camera



- Vandal Proof Outdoor Dome Type IP Camera (1 ch MPEG-4 25/30 FPS@D1, 1 ch 2-way Audio)
- Video Compression : MPEG-4, MPEG-2, MJPEG
- Hardware Deinterlacing & Motion Detection & Text OSD
- Sony 1/3" Super HAD CCD & High Quality SS-HQ1 Full Kit Chip Set
- Horizontal Resolution more than 540 TVL
- Vandal Proof Housing (IP66 Rating in Surface Type)
- True Day / Night (ICR) : IPC3500A-D, IPC3501A-D only
- Improvement of Color Rolling Suppression
- AGC / EE, AI / BLC / FLK / Gamma / Mirror Function

Specifications

Camera

Camera	IPC3500A-D	IPC3500A / IPC3500A-IR
Day / Night	Available (ICR)	N / A
Image Sensor	Sony 1/3" Super HAD CCD	
TV System	NTSC or PAL	
Effective Pixels	NTSC - 768(H) x 494(V) / PAL - 752(H) x 582(V)	
Horizontal Resolution	540 TVL	
White Balance	Automatic White Balance (AWB)	
Scanning System	525 Lines (NTSC), 625 Lines (PAL), 2:1 Interlace	
Sync System	Internal (12 VDC)	
Scanning Frequency	NTSC - 15.734 kHz(H) 59.95 Hz(V) PAL - 15.625 kHz(H) 50 Hz(V)	
Min. Illumination	0.05 Lux	0.5 Lux
Lens	4 ~ 9 mm Day / Night Vari-focal Auto Iris Lens	4 ~ 9 mm Vari-focal Auto Iris Lens
Electronic Shutter	1 / 60 ~ 100,000 (NTSC), 1 / 50 ~ 100,000 (PAL)	
S / N Ratio	More than 48 dB	
Gamma Correction	0.45 or 1 Selectable	
Video Output (Loop Out)	VBS 1.0 Vp-p Composite	
Function Key	AGC, EE / AI, BLC, FLK, Gamma, Mirror	

Electrical

Power Source	12 VDC 700 mA
Video Output (Loop Out)	BNC Cable
Power Input	DC JACK

Environmental

Operating Temperature	0 ~ 60 (32 °F ~ 140 °F)
Storage Temperature	-20 ~ 60 (-4 °F ~ 140 °F)
Operating Humidity	Up to 85% RH

Mechanical

Material	Diecasting / Urethane Polycarbonate
Color	Ivory
Dimension	140(W) x 112(H) mm
Weight	1,268 g

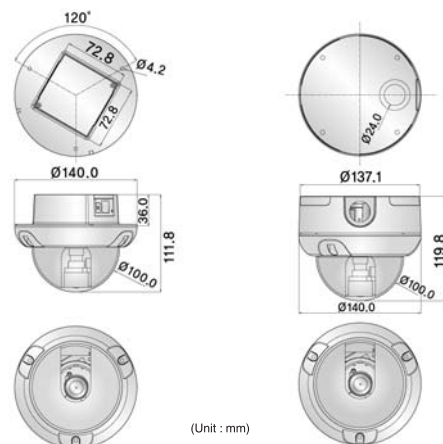
Model Classification :

- IPC3500A-D : Day / Night, Sony 1/3" Super HAD CCD, 540 TVL, 12 VDC
- IPC3500A-IR : IR (Built in 12 PCS LED), Sony 1/3" Super HAD CCD, 540 TVL, 12 VDC
- IPC3500A : Sony 1/3" Super HAD CCD, 540 TVL, 12 VDC (Standard Model)
- IPC3501A-D : Day / Night, Sony HAD CCD, 380 TVL, 12 VDC
- IPC3501A-IR : IR (Built in 12 PCS LED), Sony 1/3" Super HAD CCD, 380 TVL, 12 VDC
- IPC3501A : Sony 1/3" Super HAD CCD, 380 TVL, 12 VDC

Network

	IPC3500A-D	IPC3500A / IPC3500A-IR
Video		
Compression	MPEG-4, MPEG-2, MJPEG	
Resolution	D1, 2CIF, CIF, QCIF	
Compression FPS	25/30 fps@D1	
Audio		
Input	1 ch	
Output	1 ch	
Compression	G.711	
Function		
Network	10 / 100 Base-T	
DI / DO	1 / 1	
RS-485	Support	
RS-232C	Support	
Power over Ethernet	Optional	
Deinterlacing	Support (Hardware Encoding Engine)	
Motion Detection	Support	
Text OSD	Support	
Video Stream Encryption	AES	
Protocol	SNTP, DHCP, UDP, TCP, RTP, RTSP (Unicast, Multicast)	

Dimension



Flush Mount Type

Surface Mount Type